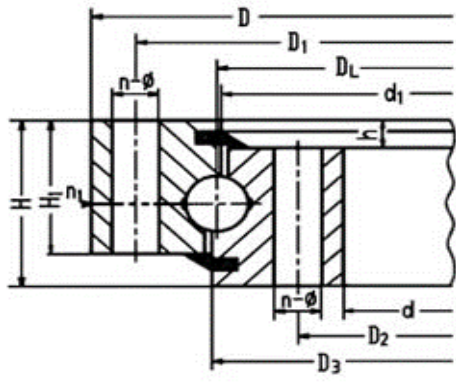
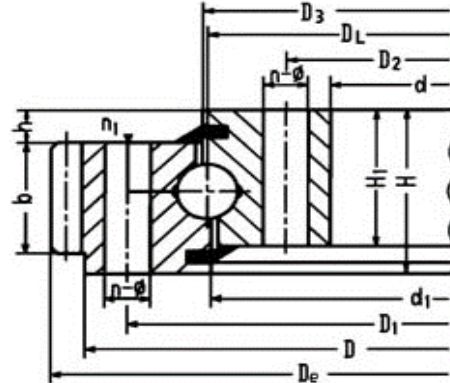


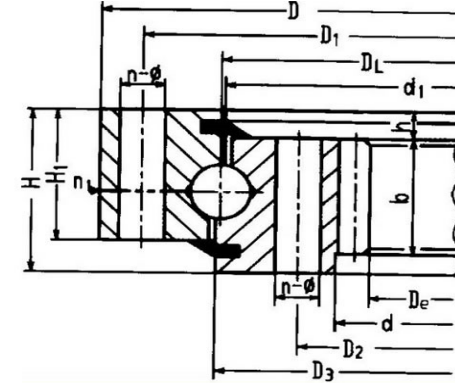
# Single-Row Ball Four-Point Contact Ball Slewing Ring



without gear



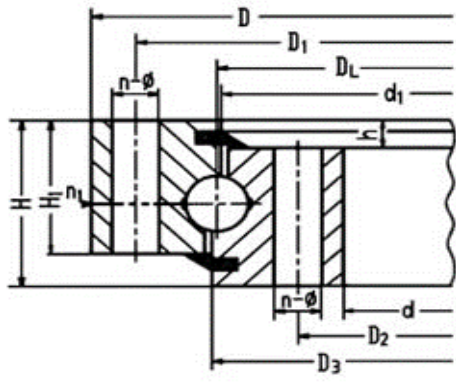
external gear



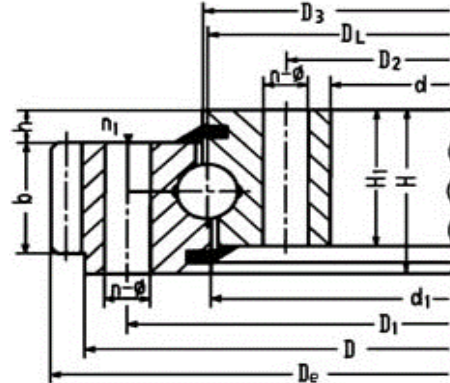
internal gear

Load Diagram Number	Basic Type			Configuration Size			Mounting Size				Structural Size					Gear Data			Ext Gear		Int Gear		Tangential Tooth Load		Ref Mass kg
	Toothless D L m m	Ext Toothling D L m m	Int Toothling D L m m	D m m	d m m	H mm	D 1 mm	D 2 mm	n	Ø m m	n 1	D 3	d 1	H 1	h mm	b mm	x	m mm	De mm	z	De mm	z	Normalizing 10 <sup>4</sup> N	Tempering 10 <sup>4</sup> N	
1	010.30.500	011.30.500	013.30.500	602	398	80	566	434	20	18	4	501	498	70	10	60	+0.5	5	629	123	367	74	3.7	5.2	85
		012.30.500	014.30.500															6	628.8	102	368.4	62	4.5	6.2	
1'	010.25.500	011.25.500	013.25.500	602	398	80	566	434	20	18	4	501	499	70	10	60	+0.5	5	629	123	367	74	3.7	5.2	85
		012.25.500	014.25.500															6	628.8	102	368.4	62	4.5	6.2	
2	010.30.560	011.30.560	013.30.560	662	458	80	626	494	24	18	4	561	558	70	10	60	+0.5	5	689	135	427	86	3.7	5.2	95
		012.30.560	014.30.560															6	688.8	112	428.4	72	4.5	6.2	
2'	010.25.560	011.25.560	013.25.560	662	458	80	626	494	24	18	4	561	559	70	10	60	+0.5	5	689	135	427	86	3.7	5.2	95
		012.25.560	014.25.560															6	688.8	112	428.4	72	4.5	6.2	
3	010.30.630	011.30.630	013.30.630	732	528	80	696	564	24	18	4	631	628	70	10	60	+0.5	6	772.8	126	494.4	83	4.5	6.2	110
		012.30.630	014.30.630															8	774.4	94	491.2	62	6	8.3	
3'	010.25.630	011.25.630	013.25.630	732	528	80	696	564	24	18	4	631	629	70	10	60	+0.5	6	772.8	126	494.4	83	4.5	6.2	110
		012.25.630	014.25.630															8	774.4	94	491.2	62	6	8.2	
4	010.30.710	011.30.710	013.30.710	812	608	80	776	644	24	18	4	711	708	70	10	60	+0.5	6	850.8	139	572.4	96	4.5	6.2	120
		012.30.710	014.30.710															8	854.4	104	571.2	72	6	8.3	
4'	010.25.710	011.25.710	013.25.710	812	608	80	776	644	24	18	4	711	709	70	10	60	+0.5	6	850.8	139	572.4	96	4.5	6.2	120
		012.25.710	014.25.710															8	854.4	104	571.2	72	6	8.9	
5	010.40.800	011.40.800	013.40.800	922	678	100	878	722	30	22	6	801	798	90	10	80	+0.5	8	966.4	118	635.2	80	8	11.1	220
		012.40.800	014.40.800															10	968	94	634	64	10	14	
5'	010.30.800	011.30.800	013.30.800	922	678	100	878	722	30	22	6	801	798	90	10	80	+0.5	8	966.4	118	635.2	80	8	11.1	220
		012.30.800	014.30.800															10	968	94	634	64	10	14.1	

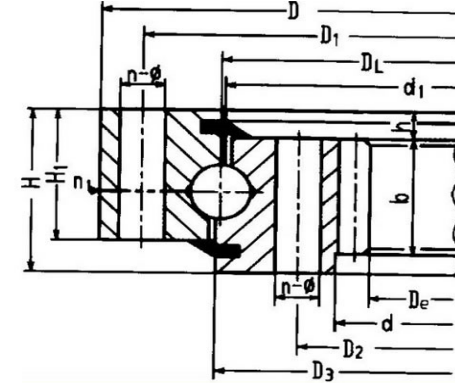
# Single-Row Ball Four-Point Contact Ball Slewing Ring



without gear



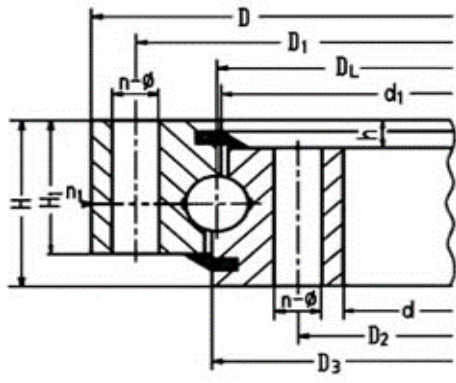
external gear



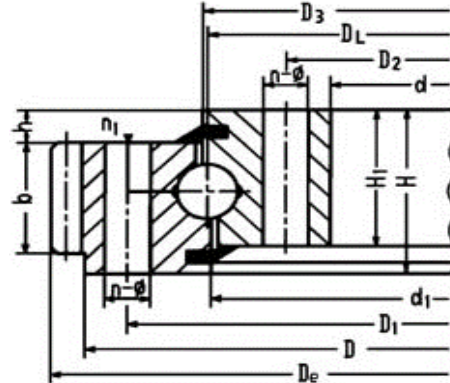
internal gear

Load Diagram Number	Basic Type			Configuration Size			Mounting Size				Structural Size					Gear Data			Ext Gear		Int Gear		Tangential Tooth Load		Ref Mass kg
	Toothless DL m m	Ext Toothing DL m m	Int Toothing DL m m	D m m	d m m	H m m	D 1 m m	D 2 m m	n	∅ m m	n 1	D 3	d 1	H 1	h m m	b m m	x	m m m	De m m	z	De m m	z	Normalizing 10 <sup>4</sup> N	Tempering 10 <sup>4</sup> N	
6	010.40.900	011.40.900 012.40.900	013.40.900 014.40.900	1022	778	100	978	822	30	22	6	901	898	90	10	80	+0.5	8 10	1062.4 1068	130 104	739.2 734	93 74	8 10	11.1 14	240
6'	010.30.900	011.30.900 012.30.900	013.30.900 014.30.900	1022	778	100	978	822	30	22	6	901	898	90	10	80	+0.5	8 10	1062.4 1068	130 104	739.2 734	93 74	8 10	11.1 14	240
7	010.40.1000	011.40.1000 012.40.1000	013.40.1000 014.40.1000	1122	878	100	1078	922	36	22	6	1001	998	90	10	80	+0.5	10 12	1188 1185.6	116 96	824 820.8	83 69	10 12	14 16.7	270
7'	010.30.1000	011.30.1000 012.30.1000	013.30.000 014.30.000	1122	878	100	1078	922	36	22	6	1001	998	90	10	80	+0.5	10 12	1188 1185.6	116 96	824 820.8	83 69	10 12	14 16.7	270
8	010.40.1120	011.40.1120 012.40.1120	013.40.1120 014.40.1120	1242	998	100	1198	1042	36	22	6	1121	1118	90	10	80	+0.5	10 12	1298 1305.6	127 106	944 940.8	95 79	10 12	14 16.7	300
8'	010.30.1120	011.30.1120 012.30.1120	013.30.1120 014.30.1120	1242	998	100	1198	1042	36	22	6	1121	1118	90	10	80	+0.5	10 12	1298 1305.6	127 106	944 940.8	95 79	10 12	14 16.7	300
9	010.45.1250	011.45.1250 012.45.1250	013.45.1250 014.45.1250	1390	1110	110	1337	1163	40	26	5	1252	1248	100	10	90	+0.5	12 14	1449.6 1453.2	118 101	1048.8 1041.6	88 75	13.5 15.8	18.8 21.9	420
9'	010.35.1250	011.35.1250 012.35.1250	013.35.1250 014.35.1250	1390	1110	110	1337	1163	40	26	5	1251	1248	100	10	90	+0.5	12 14	1449.6 1453.2	118 101	1048.8 1041.6	88 75	13.5 15.8	18.8 21.9	420
10	010.45.1400	011.45.1400 012.45.1400	013.45.1400 014.45.1400	1540	1260	110	1487	1313	40	26	5	1402	1398	100	10	90	+0.5	12 14	1605.6 1607.2	131 112	1192.8 1195.6	100 86	13.5 15.5	18.8 21.9	480
10'	010.35.1400	011.35.1400 012.35.1400	013.35.1400 014.35.1400	1540	1260	110	1487	1313	40	26	5	1401	1398	100	10	90	+0.5	12 14	1605.6 1607.2	131 112	1192.8 1195.6	100 86	13.5 15.8	18.8 21.9	480

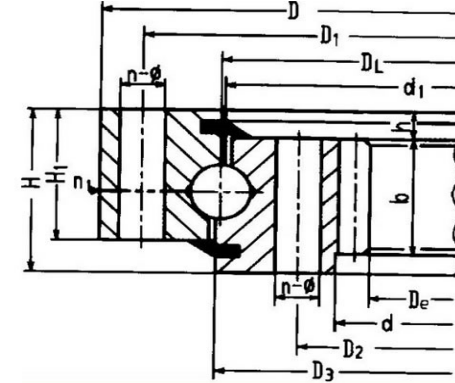
# Single-Row Ball Four-Point Contact Ball Slewing Ring



without gear



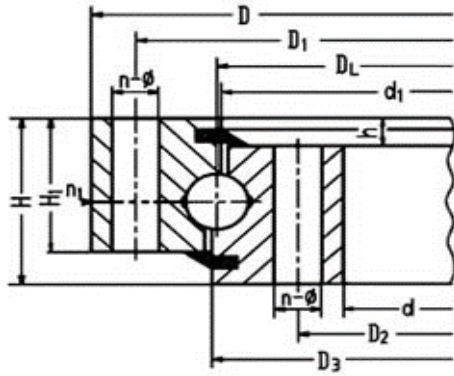
external gear



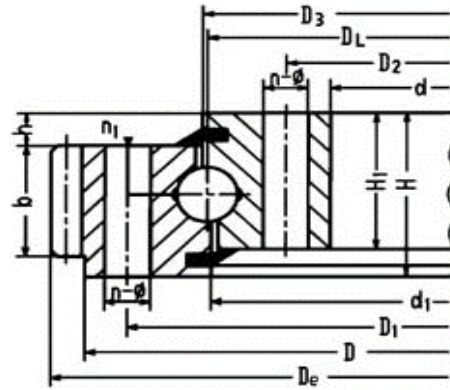
internal gear

Load Diagram Number	Basic Type			Configuration Size			Mounting Size				Structural Size					Gear Data			Ext Gear		Int Gear		Tangential Tooth Load		Ref Mass kg
	Toothless D L m m	Ext Toothling D L m m	Int Toothling D L m m	D m m	d m m	H mm	D 1 mm	D 2 mm	n	∅ m m	n 1	D 3	d 1	H 1	h mm	b mm	x	m mm	De mm	z	De mm	z	Normalizing 10 <sup>4</sup> N	Tempering 10 <sup>4</sup> N	
11	010.45.1600	011.45.1600 012.45.1600	013.45.1600 014.45.1600	1740	1460	110	1687	1513	45	26	5	1602	1598	100	10	90	+0.5	14 16	1817.2 1820.8	127 111	1391.6 1382.4	100 87	15.8 18.1	21.9 25	550
11'	010.35.1600	011.35.1600 012.35.1600	013.35.1600 014.35.1600	1740	1460	110	1687	1513	45	26	5	1601	1598	100	10	90	+0.5	14 16	1817.2 1820.8	127 111	1391.6 1382.4	100 87	15.8 18.1	21.9 25	550
12	010.45.1800	011.45.1800 012.45.1800	013.45.1800 014.45.1800	1940	1660	110	1887	1713	45	26	5	1802	1798	100	10	90	+0.5	14 16	2013.2 2012.8	141 123	1573.6 1574.4	113 99	15.8 18.1	21.9 25	610
12'	010.35.1800	011.35.1800 012.35.1800	013.35.1800 014.35.1800	1940	1660	110	1887	1713	45	26	5	1801	1798	100	10	90	+0.5	14 16	2013.2 2012.8	141 123	1573.6 1574.4	113 99	15.8 18.1	21.9 25	610
13	010.60.2000	011.60.2000 012.60.2000	013.60.2000 014.60.2000	2178	1825	144	2110	1891	48	33	8	2002	1998	132	12	120	+0.5	16 18	2268.8 2264.4	139 123	1734.4 1735.2	109 97	24.1 27.1	33.3 37.5	1100
13'	010.40.2000	011.40.2000 012.40.2000	013.40.2000 014.40.2000	2178	1825	144	2110	1891	48	33	8	2001	1998	132	12	120	+0.5	16 18	2268.8 2264.4	139 123	1734.4 1735.2	109 97	24.1 27.1	33.3 37.5	1100
14	010.60.2240	011.60.2240 012.60.2240	013.60.2240 014.60.2240	2418	2065	144	2350	2131	48	33	8	2242	2238	132	12	120	+0.5	16 18	2492.8 2498.4	153 136	1990.4 1987.2	125 111	24.1 27.1	33.3 37.5	1250
14'	010.40.2240	011.40.2240 012.40.2240	013.40.2240 014.40.2240	2418	2065	144	2350	2131	48	33	8	2241	2238	132	12	120	+0.5	16 18	2492.8 2498.4	153 136	1990.4 1987.2	125 111	24.1 27.1	33.3 37.5	1250
15	010.60.2500	011.60.2500 012.60.2500	013.60.2500 014.60.2500	2678	2325	144	2610	2391	56	33	8	2502	2498	132	12	120	+0.5	18 20	2768.4 2776	151 136	2239.2 2228	125 112	27.1 30.1	37.5 41.8	1400
15'	010.40.2500	011.40.2500 012.40.2500	013.40.2500 014.40.2500	2678	2325	144	2610	2391	56	33	8	2501	2498	132	12	120	+0.5	18 20	2768.4 2776	151 136	2239.2 2228	125 112	27.1 30.1	37.5 41.8	1400

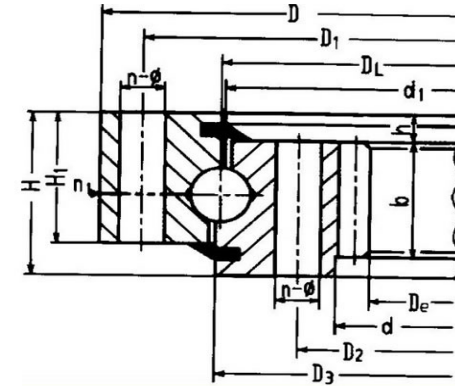
# Single-Row Ball Four-Point Contact Ball Slewing Ring



without gear



external gear



internal gear

Load Diagram Number	Basic Type			Configuration Size			Mounting Size				Structural Size					Gear Data			Ext Gear		Int Gear		Tangential Tooth Load		Ref Mass kg
	Toothless D L m m	Ext Toothling D L m m	Int Toothling D L m m	D m m	d m m	H mm	D 1 mm	D 2 mm	n	Ø m m	n 1	D 3	d 1	H 1	h mm	b mm	x	m mm	De mm	z	De mm	z	Normalizing 10 <sup>4</sup> N	Tempering 10 <sup>4</sup> N	
16	010.60.2800	011.60.2800 012.60.2800	013.60.2800 014.60.2800	2978	2625	144	2910	2691	56	33	8	2802	2798	132	12	120	+0.5	18	3074.4 3076	168 151	2527.2 2528	141 127	27.1 30.1	37.5 41.8	1600
16'	010.40.2800	011.40.2800 012.40.2800	013.40.2800 014.40.2800	2978	2625	144	2910	2691	56	33	8	2802	2798	132	12	120	+0.5	18	3074.4 3076	168 151	2527.2 2528	141 127	27.1 30.1	37.5 41.8	1600
17	010.75.3150	011.75.3150 012.75.3150	013.75.3150 014.75.3150	3376	2922	174	3286	3014	56	45	8	3152	3147	162	12	150	+0.5	20	3476 3471.6	171 155	2828 2824.8	142 129	37.7 41.5	52.2 57.4	2800
17'	010.50.3150	011.50.3150 012.50.3150	013.50.3150 014.50.3150	3376	2922	174	3286	3014	56	45	8	3152	3147	162	12	150	+0.5	20	3476 3471.6	171 155	2828 2824.8	142 129	37.7 41.5	52.2 57.4	2800
18	010.75.3550	011.75.3550 012.75.3550	013.75.3550 014.75.3550	3776	3322	174	3686	3414	56	45	8	3552	3547	162	12	150	+0.5	20	3876 3889.6	191 174	3228 3220.8	162 147	37.7 41.5	52.2 57.4	3200
18'	010.50.3550	011.50.3550 012.50.3550	013.50.3550 014.50.3550	4226	3322	174	3686	3414	56	45	8	3552	3547	162	12	150	+0.5	20	3876 3889.6	191 174	3228 3220.8	162 147	37.7 41.5	52.2 57.4	3200
19	010.75.4000	011.75.4000 012.75.4000	013.75.4000 014.75.4000	4226	3772	174	4136	3864	60	45	10	4002	3997	162	12	150	+0.5	22	4329.6 4345	194 171	3660.8 3660	167 147	41.5 47.1	57.4 65.2	3600
19'	010.50.4000	011.50.4000 012.50.4000	013.50.4000 014.50.4000	4226	3772	174	4136	3864	60	45	10	4002	3998	162	12	150	+0.5	22	4329.6 4345	194 171	3660.8 3660	167 147	41.5 47.1	57.4 65.2	3600
20	010.75.4500	011.75.4500 012.75.4500	013.75.4500 014.75.4500	4726	4272	174	4636	4364	60	45	10	4502	4497	162	12	150	+0.5	22	4835.6 4845	217 191	4166.8 4160	190 167	41.5 47.7	57.4 65.2	4000
20'	010.50.4500	011.50.4500 012.50.4500	013.50.4500 014.50.4500	4726	4272	174	4636	4364	60	45	10	4502	4497	162	12	150	+0.5	22	4835.6 4845	217 191	4166.8 4160	190 167	41.5 47.7	57.4 65.2	4000